

SALAD/SANDWICH PREP TABLE

Signature Series

NPT-048-SA



FEATURES



Temperature range (°C): 0.5-5



Natural refrigerant promotes faster cool down and efficient energy consumption



12 clear plastic pans included



Back mounted compressor



Digital temperature control



Stainless steel interior and exterior



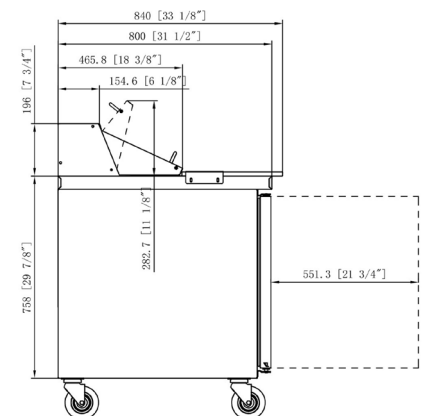
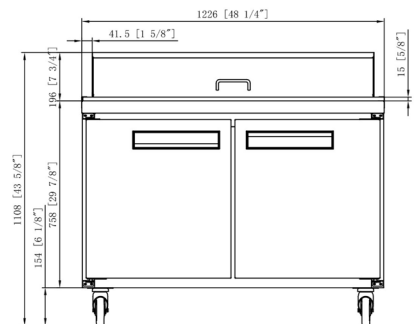
Adjustable heavy duty shelves



Insulated lid maintains food freshness

SPECIFICATIONS

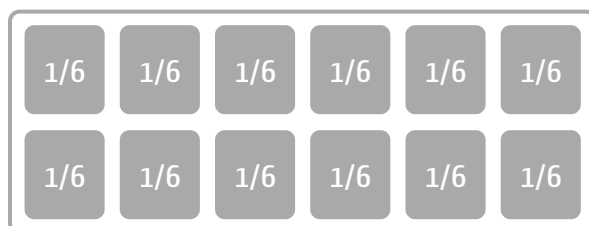
Capacity (Cubic Feet)	11.5
Capacity (Litres)	325.6
Exterior Unit Dimensions (in)	48" (w) x 31.5" (d) x 44" (h)
Exterior Unit Dimensions (cm)	122 (w) x 80 (d) x 112 (h)
Shipping Dimensions with Box (in)	49.5" (w) x 33" (d) x 50.75" (h)
Shipping Dimensions with Box (cm)	125.75 (w) x 84 (d) x 129 (h)
Net Weight	231lbs (105 kg)
Gross Weight	320lbs (145 kg)
Type of Defrost	Automatic
Cutting Board Included	1
Plastic Pan Dimensions	1/6 PAN 6.93" x 6.38" x 5.91"
Swivel Casters	Yes (2 with brakes)
Adjustable Shelves	2
Voltage	115V/60Hz
Input Power	280W
Amperes	2.4
Temperature	0.5-5 °C
Refrigerant (CFC-Free)	R290
Compressor	1/5 HP
Plug Type	Nema 5-15P



Warranty

**3 years parts and labour,
2 additional years on the compressor**

REGULAR TOP | 12 X 1/6 PAN



DESIGN AND SPECIFICATIONS CAN CHANGE WITHOUT PRIOR NOTICE FOR PRODUCT IMPROVEMENT